



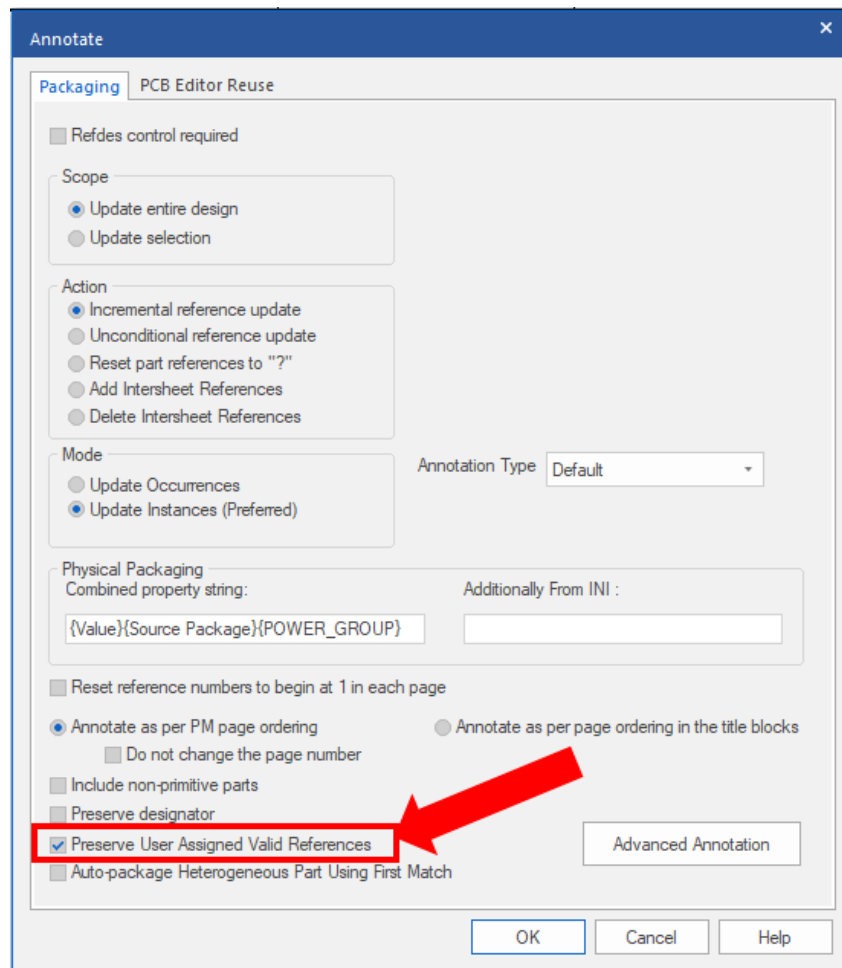
User Assigned Reference Designators

User Assigned Reference Designators

Cadence introduced the ability to control user assigned reference designators. This gives users full control over how the Annotation command handles parts that need a specific reference designator. For example, a connector may need to be called J100 and remain that in a design regardless of how the rest of the design is annotated, using an unconditional annotation for example.

To maintain user assigned references

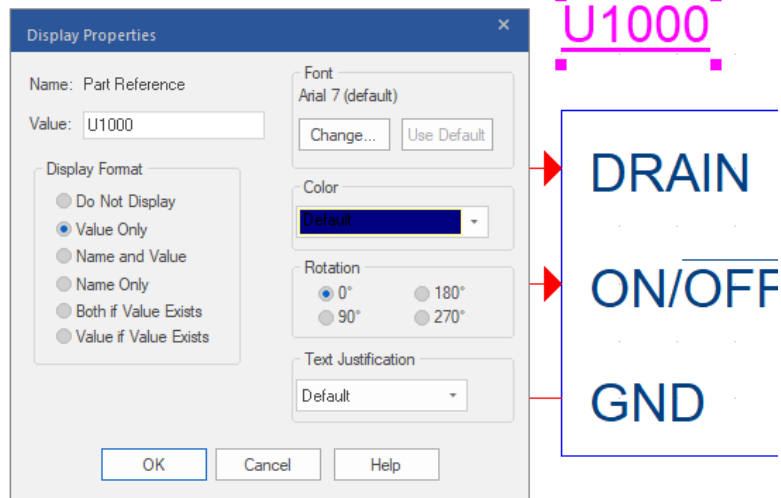
Once parts have a user assigned reference designator there is now an option in the Annotation command to preserve this. To set this launch the Annotation command from the Tools menu, then check the box for Preserve user Assigned Valid References as shown below. With this checked any type of Annotation will preserve a user assigned one.



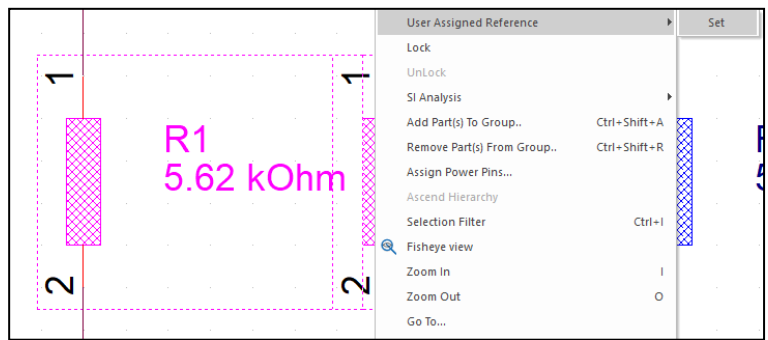
To set a reference to be user-assigned

There are two ways to define a user assigned reference:-

1. Double-click on a reference and specify the required reference designator value. The reference will be displayed with an underscore to make it visible on the canvas. (see final section).



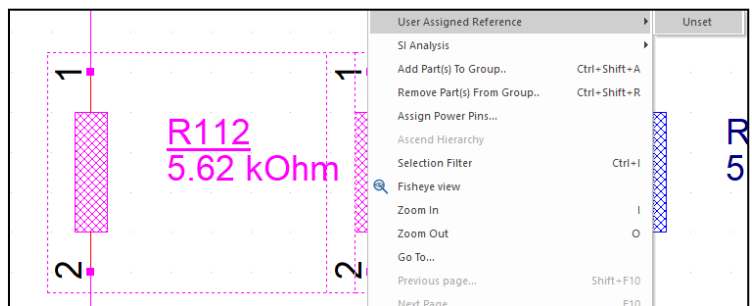
2. Select one or more components and use RMB - User Assigned Reference - Set to indicate that it is a user-assigned reference(s).



How to unset user assigned references

If you have some components that have user assigned references and you wish to change that so that the Annotation command can modify these values then you can remove this setting by:-

1. Select the components to be unset and use RMB - User Assigned Reference - Unset to remove the user-assigned reference(s). The underscore will be removed.

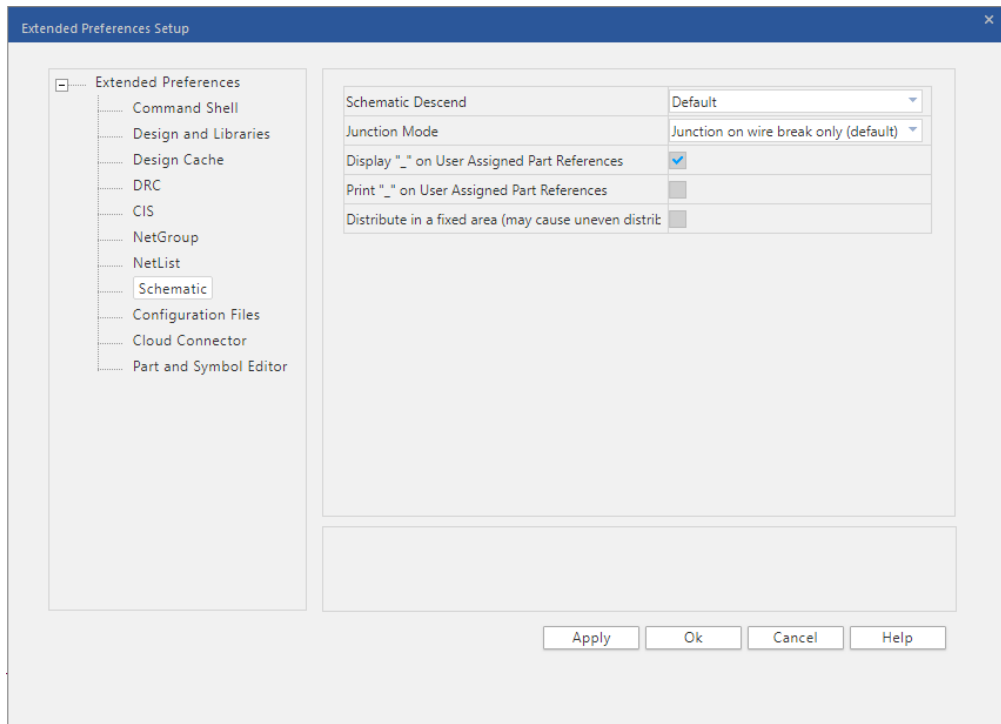


How to setup Capture so that no underscores are displayed.

You have the ability to not display whether a part is a user assigned reference designator or not. You also have control over whether the underscore is plotted or not. To set both of these preferences you need to select the

User Assigned Reference Designators

design name in the project window then go to Options – Extended Preferences, then choose the Schematic option under Extended Preferences and check/uncheck the boxes to control Display and Print of the underscore. The default settings are shown below.



Click on OK and the settings will be applied to the capture.ini file.

The following are trademarks or registered trademarks of Cadence Design Systems, Inc. 555 River Oaks Parkway, San Jose, CA 95134
Allegro®, Cadence®, Cadence logo™, Concept®, NC-Verilog®, OrCAD®, PSpice®, SPECCTRA®, Verilog®

Other Trademarks

All other trademarks are the exclusive property of their prospective owners.

NOTICE OF DISCLAIMER: Parallel Systems is providing this design, code, or information "as is." By providing the design, code, or information as one possible implementation of this feature, application, or standard, Parallel Systems makes no representation that this implementation is free from any claims of infringement. You are responsible for obtaining any rights you may require for your implementation. Parallel Systems expressly disclaims any warranty whatsoever with respect to the adequacy of the implementation, including but not limited to any warranties or representations that this implementation is free from claims of infringement and any implied warranties of merchantability or fitness for a particular purpose.